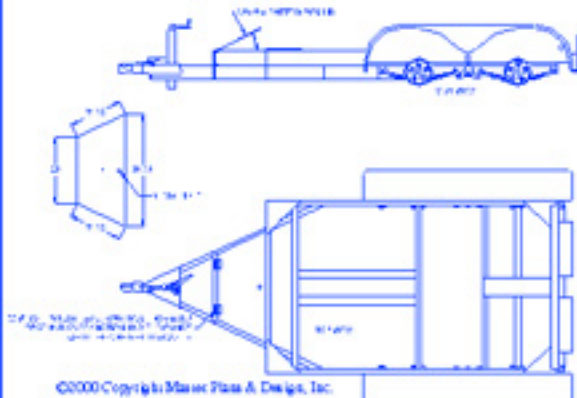
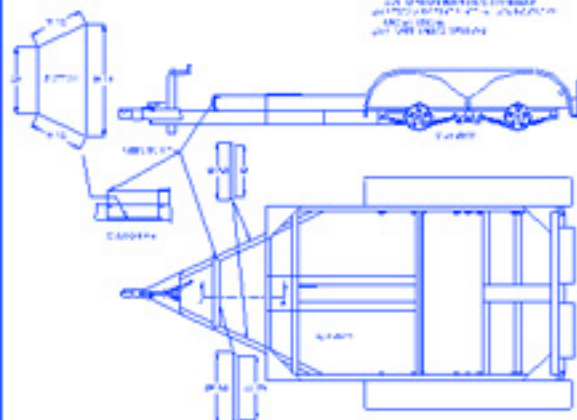


STEP TWENTY-ONE

HYDRA-MIX TRAILER INSTALLATION

NOTE:
 1. HYDRA-MIX TRAILER MUST BE MOUNTED ON A TRAILER WITH A 20,000 LB. GVW RATED AXLE AND A 20,000 LB. GVW RATED TONGUE WEIGHT.
 2. HYDRA-MIX TRAILER MUST BE MOUNTED ON A TRAILER WITH A 20,000 LB. GVW RATED TONGUE WEIGHT.
 3. HYDRA-MIX TRAILER MUST BE MOUNTED ON A TRAILER WITH A 20,000 LB. GVW RATED TONGUE WEIGHT.

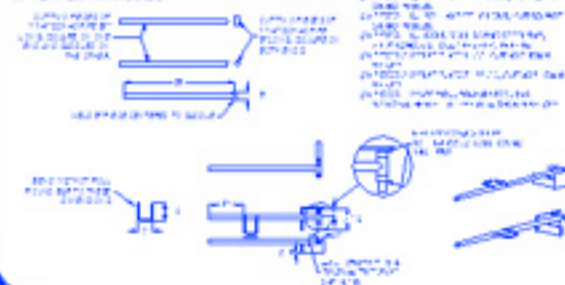


©2000 Copyright Mixer Plate & Design, Inc.

STEP TWENTY-TWO

SAFETY BAR ASSEMBLY

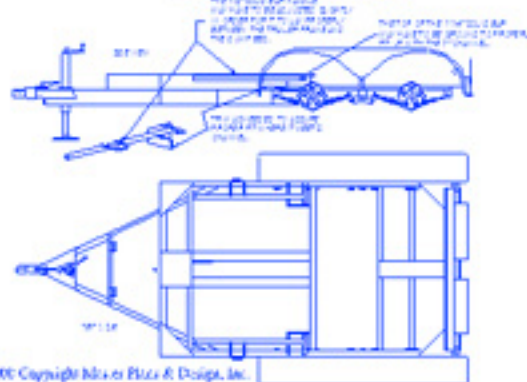
NOTE:
 1. SAFETY BAR MUST BE MOUNTED TO THE TRAILER FRAME.
 2. SAFETY BAR MUST BE MOUNTED TO THE TRAILER FRAME.
 3. SAFETY BAR MUST BE MOUNTED TO THE TRAILER FRAME.
 4. SAFETY BAR MUST BE MOUNTED TO THE TRAILER FRAME.
 5. SAFETY BAR MUST BE MOUNTED TO THE TRAILER FRAME.



STEP TWENTY-THREE

SAFETY BAR INSTALLATION

NOTE:
 1. SAFETY BAR MUST BE MOUNTED TO THE TRAILER FRAME.
 2. SAFETY BAR MUST BE MOUNTED TO THE TRAILER FRAME.
 3. SAFETY BAR MUST BE MOUNTED TO THE TRAILER FRAME.
 4. SAFETY BAR MUST BE MOUNTED TO THE TRAILER FRAME.
 5. SAFETY BAR MUST BE MOUNTED TO THE TRAILER FRAME.

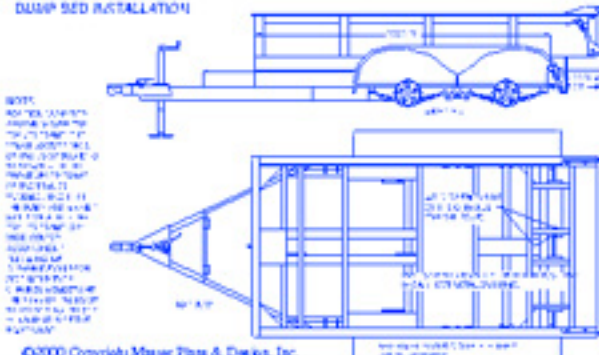


©2000 Copyright Mixer Plate & Design, Inc.

STEP TWENTY-FOUR

DUMP BED INSTALLATION

NOTE:
 1. DUMP BED MUST BE MOUNTED TO THE TRAILER FRAME.
 2. DUMP BED MUST BE MOUNTED TO THE TRAILER FRAME.
 3. DUMP BED MUST BE MOUNTED TO THE TRAILER FRAME.
 4. DUMP BED MUST BE MOUNTED TO THE TRAILER FRAME.
 5. DUMP BED MUST BE MOUNTED TO THE TRAILER FRAME.



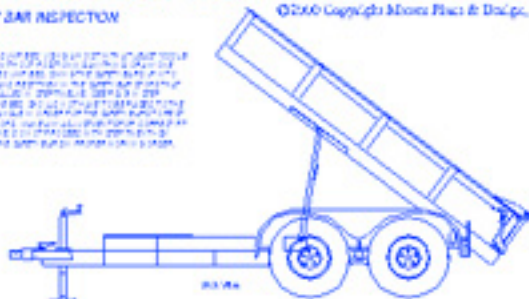
©2000 Copyright Mixer Plate & Design, Inc.

STEP TWENTY-FIVE

SAFETY BAR INSPECTION

©2000 Copyright Mixer Plate & Design, Inc.

NOTE:
 1. SAFETY BAR MUST BE INSPECTED FOR CRACKS AND WEAR.
 2. SAFETY BAR MUST BE INSPECTED FOR CRACKS AND WEAR.
 3. SAFETY BAR MUST BE INSPECTED FOR CRACKS AND WEAR.
 4. SAFETY BAR MUST BE INSPECTED FOR CRACKS AND WEAR.
 5. SAFETY BAR MUST BE INSPECTED FOR CRACKS AND WEAR.

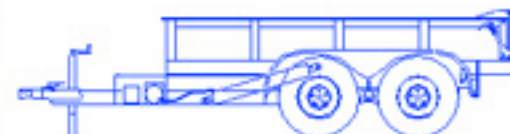
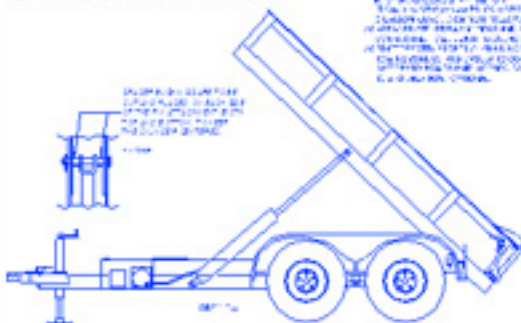


STEP TWENTY-SIX

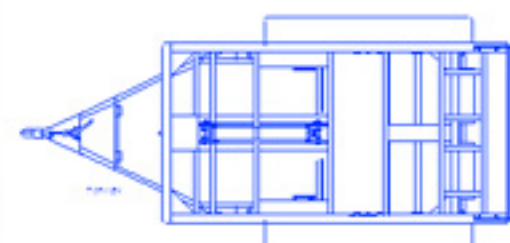
HYDRA-MIX TRAILER INSTALLATION

NOTE:
 1. HYDRA-MIX TRAILER MUST BE MOUNTED ON A TRAILER WITH A 20,000 LB. GVW RATED AXLE AND A 20,000 LB. GVW RATED TONGUE WEIGHT.
 2. HYDRA-MIX TRAILER MUST BE MOUNTED ON A TRAILER WITH A 20,000 LB. GVW RATED TONGUE WEIGHT.
 3. HYDRA-MIX TRAILER MUST BE MOUNTED ON A TRAILER WITH A 20,000 LB. GVW RATED TONGUE WEIGHT.
 4. HYDRA-MIX TRAILER MUST BE MOUNTED ON A TRAILER WITH A 20,000 LB. GVW RATED TONGUE WEIGHT.
 5. HYDRA-MIX TRAILER MUST BE MOUNTED ON A TRAILER WITH A 20,000 LB. GVW RATED TONGUE WEIGHT.

©2000 Copyright Mixer Plate & Design, Inc.



©2000 Copyright Mixer Plate & Design, Inc.



STEP TWENTY-SEVEN

CLEAN / PAINT / PART

NOTE:
 1. CLEAN / PAINT / PART MUST BE MOUNTED TO THE TRAILER FRAME.
 2. CLEAN / PAINT / PART MUST BE MOUNTED TO THE TRAILER FRAME.
 3. CLEAN / PAINT / PART MUST BE MOUNTED TO THE TRAILER FRAME.
 4. CLEAN / PAINT / PART MUST BE MOUNTED TO THE TRAILER FRAME.
 5. CLEAN / PAINT / PART MUST BE MOUNTED TO THE TRAILER FRAME.

STEP TWENTY-EIGHT

WPC ASSEMBLY

NOTE:
 1. WPC ASSEMBLY MUST BE MOUNTED TO THE TRAILER FRAME.
 2. WPC ASSEMBLY MUST BE MOUNTED TO THE TRAILER FRAME.
 3. WPC ASSEMBLY MUST BE MOUNTED TO THE TRAILER FRAME.
 4. WPC ASSEMBLY MUST BE MOUNTED TO THE TRAILER FRAME.
 5. WPC ASSEMBLY MUST BE MOUNTED TO THE TRAILER FRAME.

©2000 Copyright Mixer Plate & Design, Inc.
 10 DUMP TRAILER #10HY 10' LA 60" W
 10 DUMP TRAILER #10HY 10' LA 60" W
 10 DUMP TRAILER #10HY 10' LA 60" W
 10 DUMP TRAILER #10HY 10' LA 60" W
 10 DUMP TRAILER #10HY 10' LA 60" W

©2000 Copyright Mixer Plate & Design, Inc.
 10 DUMP TRAILER #10HY 10' LA 60" W
 10 DUMP TRAILER #10HY 10' LA 60" W
 10 DUMP TRAILER #10HY 10' LA 60" W
 10 DUMP TRAILER #10HY 10' LA 60" W
 10 DUMP TRAILER #10HY 10' LA 60" W

©2000 Copyright Mixer Plate & Design, Inc.
 10 DUMP TRAILER #10HY 10' LA 60" W
 10 DUMP TRAILER #10HY 10' LA 60" W
 10 DUMP TRAILER #10HY 10' LA 60" W
 10 DUMP TRAILER #10HY 10' LA 60" W
 10 DUMP TRAILER #10HY 10' LA 60" W

©2000 Copyright Mixer Plate & Design, Inc.
 10 DUMP TRAILER #10HY 10' LA 60" W
 10 DUMP TRAILER #10HY 10' LA 60" W
 10 DUMP TRAILER #10HY 10' LA 60" W
 10 DUMP TRAILER #10HY 10' LA 60" W
 10 DUMP TRAILER #10HY 10' LA 60" W

©2000 Copyright Mixer Plate & Design, Inc.
 10 DUMP TRAILER #10HY 10' LA 60" W
 10 DUMP TRAILER #10HY 10' LA 60" W
 10 DUMP TRAILER #10HY 10' LA 60" W
 10 DUMP TRAILER #10HY 10' LA 60" W
 10 DUMP TRAILER #10HY 10' LA 60" W