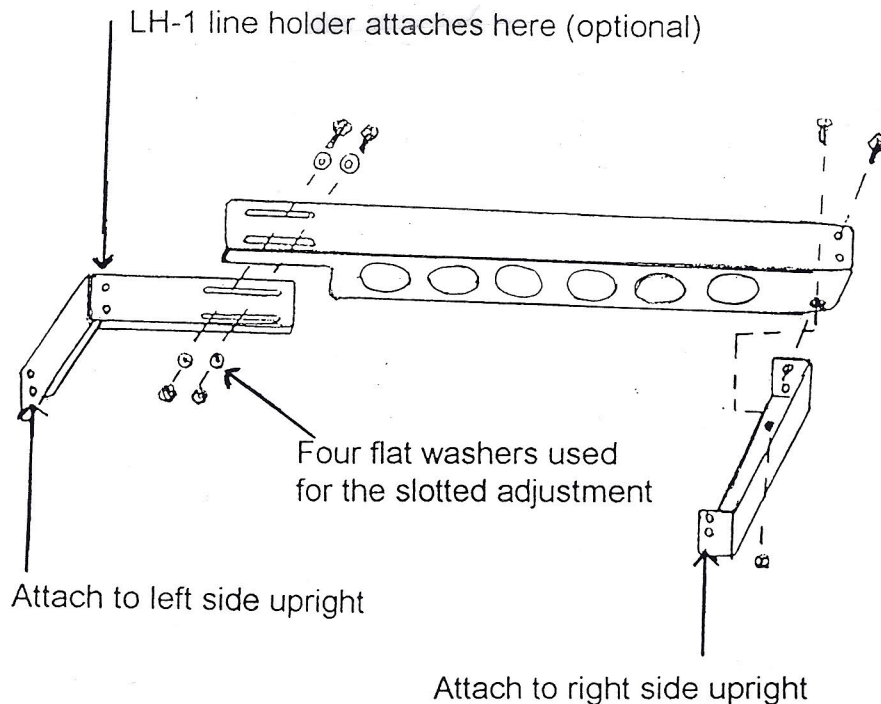


HT-1 Accessory Hand Tool Rack Instructions

Thank you for purchasing a TrimmerTrap product. The HT-1 attaches to a TrimmerTrap TT-1 or TT-2 trimmer rack for organizing and protecting hand tools. A TrimmerTrap TT-1 or TT-2 trimmer rack is required for use with an HT-1. When assembling, keep in mind the width of the HT-1 is adjustable to accommodate for varying distances between TT-1 and TT-2 trimmer rack uprights. The bottom "handle holder" can be attached to the trailer floor or the top rail of the trailer. The TT-2 trimmer racks leave the factory with the mounting holes already in place. The two holes on the left side of the HT-1 near the slots are for attaching the optional TrimmerTrap LH-1 trimmer line holder.

<u>HT-1 Parts List</u>	<u>Quantity</u>
5/16" x 3/4" bolts	nine
5/16" nylon lock nuts	nine
5/16" flat washers	four



WARRANTY: 90 days against defects in material and workmanship, TrimmerTrap, Inc. reserves the right to repair or replace at its sole discretion the alleged defective TrimmerTrap product. Determination of validity of alleged defect claim will be made upon goods returned to us freight prepaid to our location in Louisville, KY. Call 1-800-279-8727 for a return goods authorization.