

# Installation Instructions

## Rear Bar for Window Protectors

**Important:** Installation Instructions, Warranty Information. *Place in vehicle glove box after installation.*

### GENERAL INFORMATION

#### CAUTION:

1. Park your vehicle on flat, horizontal surface. Apply parking brake or use wheel chocks to prevent accidental rolling.
2. To keep debris out of your eyes always wear protective eyewear.
3. Check contents of box against part list to make sure all components are included.

#### TOOLS REQUIRED:

- Two 3/4" Wrenches, Socket or Open
- 9/16" Wrench, Socket or Open

**Step 1.** Attach anchors to brackets using 3/8-16 x 1-1/2" screws, lock and flat washers. **Do not tighten screws.** Make only 2-3 turns into anchor. Insert anchors into rear stake pockets as shown in Fig 1. Keep formed sides of anchors in stake pocket openings and finger tighten screws.

**Step 2.** Position tube symmetrically on the brackets as shown in Fig. 2. Align slots in the brackets with holes in the tube and insert 1/2-20 x 2-1/2" screws. Install lock nuts. Tighten lock nuts evenly on both sides of vehicle 40-45 ft-lbs. of torque. Tighten 3/8-16 x 1-1/2" screws 25-30 ft-lbs. of torque. Overtightening these screws can result in damage to truck's sheet metal.

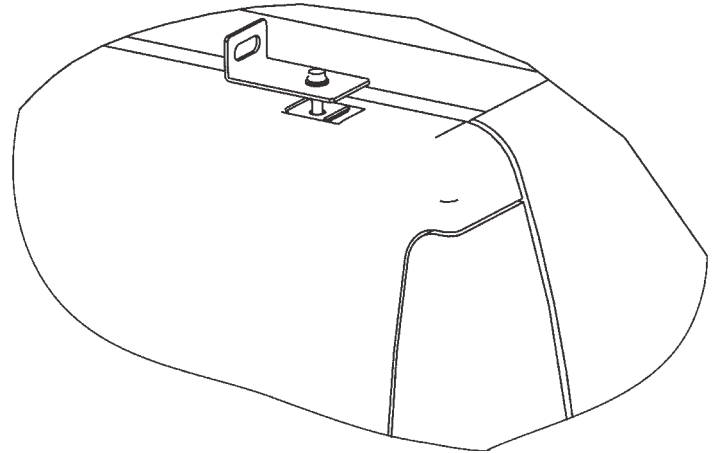


Fig. 1

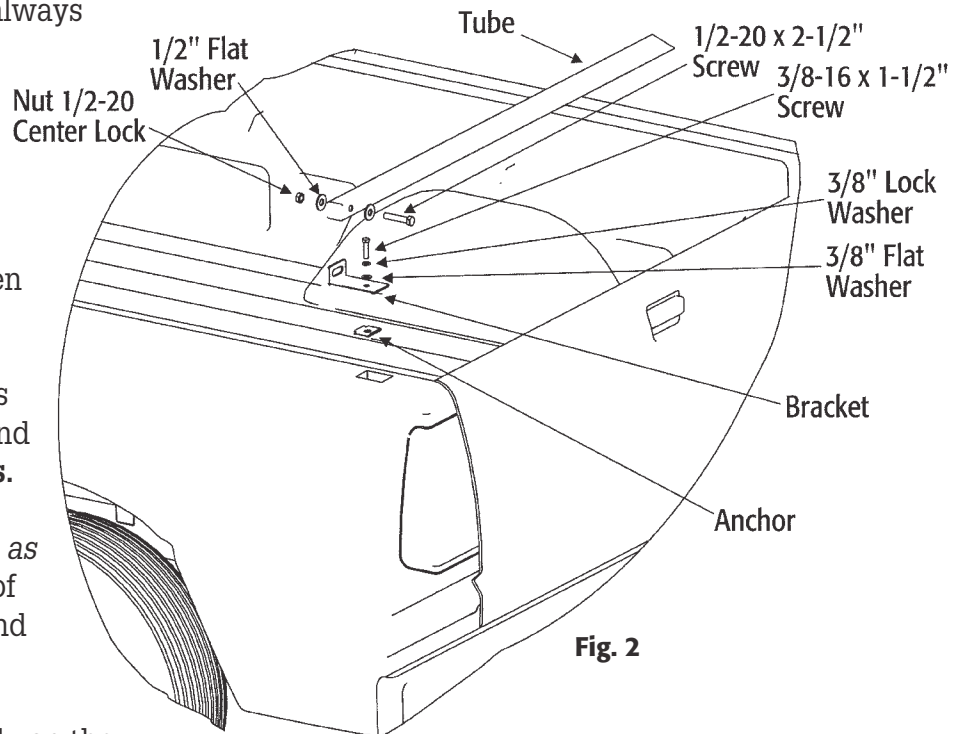


Fig. 2

PART NO.	QTY.	DESCRIPTION
3003941	1	Tube Rear Bar
3003940	2	Bracket
FWF050138014	4	Washer, Flat 1/2"
FCS050020250	2	Screw Hex Head 1/2-20 x 2-1/2"
0150700	2	Nut, Center Lock Jam 1/2-20
FWF038081006	2	Washer, Flat 3/8"
FCS038016150	2	Screw Hex Head 3/8-16 x 1-1/2"
FWL038069009	2	Washer, Lock 3/8"
3003943	2	Cushion
3003939	2	Anchor
3004011	1	Instruction Sheet



Quality since 1946

9049 Tyler Blvd. • Mentor, Ohio 44060  
Phone (440) 974-8888 • Fax (440) 974-0165  
Toll-Free Fax 800-841-8003 • buyersproducts.com

#### **FULL ONE-YEAR WARRANTY**

Manufacturer will repair, or at manufacturer's discretion will replace any part of this Window Protector which proves to be defective in workmanship or material under normal use for period of one year from the date of delivery to the original purchaser. Any cost incurred in returning the product to the supplier is the responsibility of the consumer.

#### **EXCLUSIONS**

Manufacturer shall not be liable for special, incidental, or consequential damages or for damages resulting from lack of necessary maintenance, from misuse, abuse, act of God, or alteration of the product. Some states do not allow the exclusion or limitation of incidental or consequential damages, so the above limitation or exclusion may not apply to you.