

Installation Instructions

1802225 Adjustable Tri-Ball Hitch

Ball Capacities:

1-7/8".....	6,000 lbs.
2".....	7,500 lbs.
2-5/16".....	10,000 lbs.

Bill of Materials

ITEM NO.	PART NO.	QTY.	DESCRIPTION
1	3001724	1	Support Assembly, Adjustable Tri-Ball
2	3001727	1	Mount Weldment, Adjustable Tri-Ball
3	3003820	1	Hitch, Adjustable Chrome Tri-Ball
	HP6253WC	1	Pin, 5/8" Hitch w/Cotter
4		1	Pin, 5/8" Hitch
5		1	Cotter, Hairpin
	3001949	1	Hardware Kit, Adjustable Tri-Ball
6	3001919	3	Pin, Ring 5/8" x 3-1/8"
7	3001953	1	Pin, Assembly 1/4" Snapper
8	FCS050013100	1	Screw, HHC 1/2-13 x 1 Gr. 5 Zn.

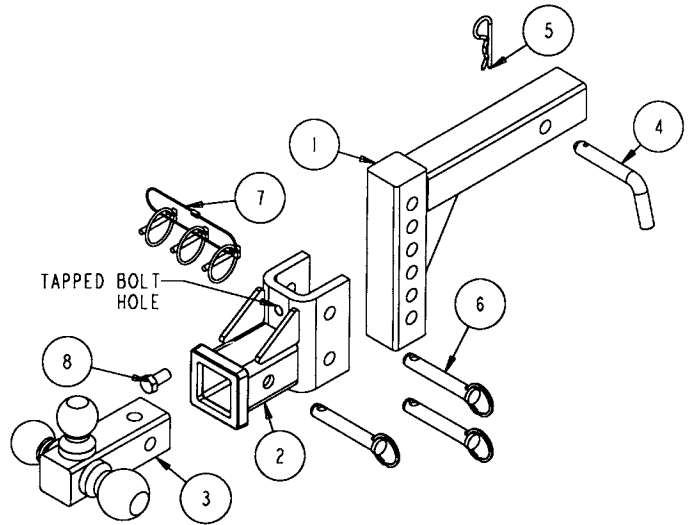
Assembly

1. Insert the solid, L-shaped support assembly (item 1) into your 2" x 2" receiver hitch, and secure with the 5/8" hitch pin and hairpin cotter supplied (items 4 & 5). The short leg of the "L" can be oriented in the upward or downward position to achieve desired hitch height.

2. Assemble Tri-Ball Mount (item 2) to the support assembly using two 5/8" ring pins (item 6) and two 1/4" snapper pins (item 7). The Tri-Ball Mount can be mounted with the bolt hole on top or bottom to achieve desired hitch height.

3. Assemble Adjustable Tri-Ball Hitch (item 3) into the 2" x 2" tube on the Tri-Ball Mount, with the desired ball size on top. Secure with a 5/8" ring pin (item 6) and a 1/4" snapper pin (item 7).

4. Once the desired height is achieved, insert the 1/2" bolt (item 8) into the tapped hole in the Tri-Ball Mount. Tighten bolt to remove any slack between the Tri-Ball support and mount.



WARNING: Do not exceed the rating of the lowest-rated component in your towing package.

WARNING: Maintain adequate vertical (tongue) load to properly control the trailer (generally 10%), but do not exceed the above-rated capacities.

Inspect hitch before each use. Replace any worn or damaged parts. Always use safety chains when towing.

Warranty Information

Buyers Products warrants all truck/trailer hardware manufactured or distributed by it, to be free from defects in material and workmanship for a period of one year from date of shipment. Parts must be properly installed and used under normal conditions. Any product which has been altered, including modification, misuse, accident or lack of maintenance will not be considered under warranty. Normal wear is excluded. The sole responsibility of Buyers Products under this warranty is limited to repairing or replacing any part or parts which are returned, prepaid, and are found to be defective by Buyers Products. Authorization from Buyers Products must be obtained before returning any part. No charges for transportation or labor performed on Buyers' products will be allowed under this warranty.